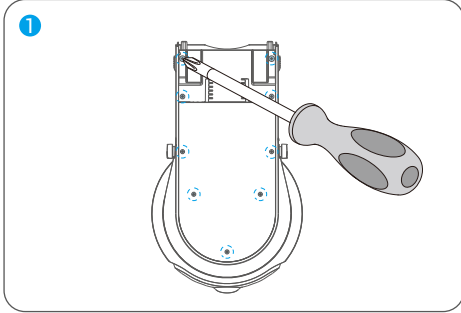


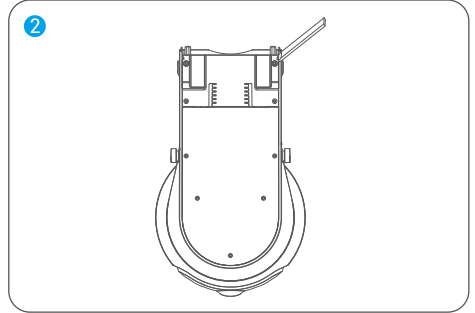
CB/HB8, CB/HB9, and CB/HB90 Series Battery Cameras

- The following battery removal steps are demonstrated using the HB90f device diagram. Except for the difference in the number of screws to be removed in Step 1, all other steps are identical.
- It is recommended to use the same model of the battery (refer to Rechargeable Lithium ion Battery chapter in the device user manual) or battery with the same specifications for replacement.

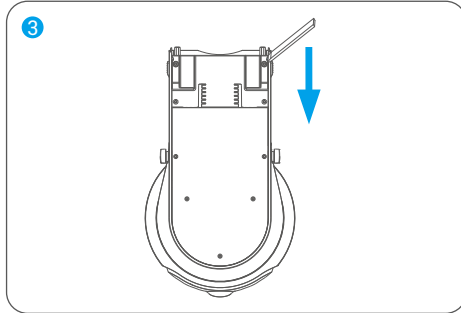
1. Remove the screws on the top of the device.



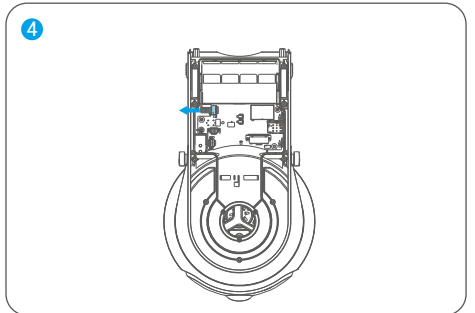
2. Insert a flat-head pry tool into the gap between the top cover of the device body.



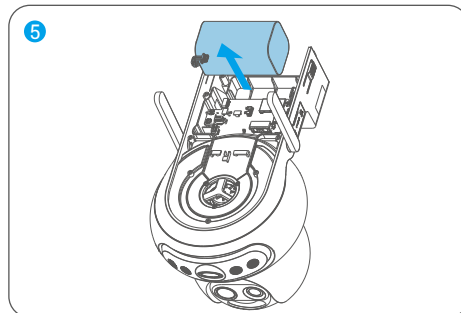
3. Press the flat-head pry tool down to lift the top cover to separate from the device body.



4. Disconnect the battery terminal.



5. Remove the battery upward.

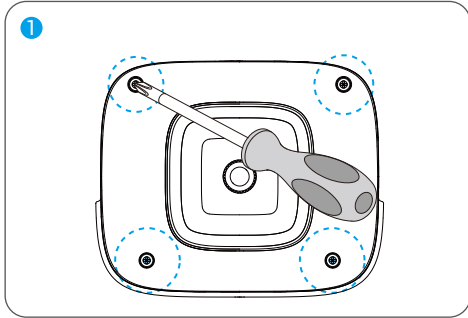


6. To install a new battery, repeat the below steps for removing the old battery in reverse order.

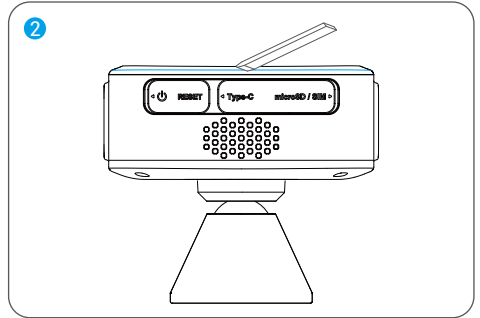
CB60 Battery Camera

i It is recommended to use the same model of the battery (refer to 1) or battery with the same specifications for replacement.

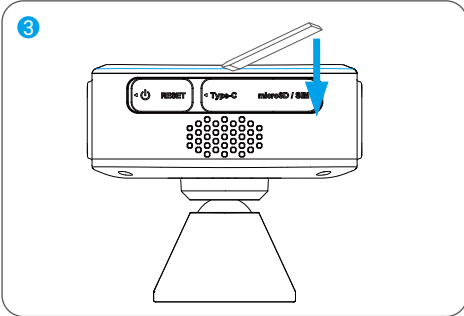
1. Remove the four screws on the bottom of the device.



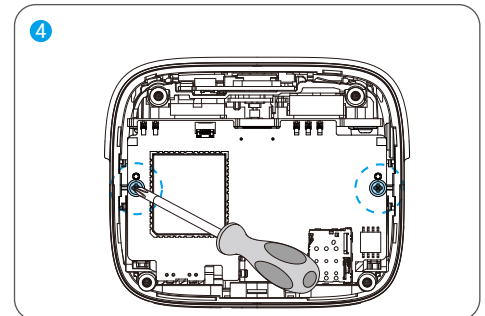
2. Insert a flat-head pry tool into the gap between the top cover of the device body.



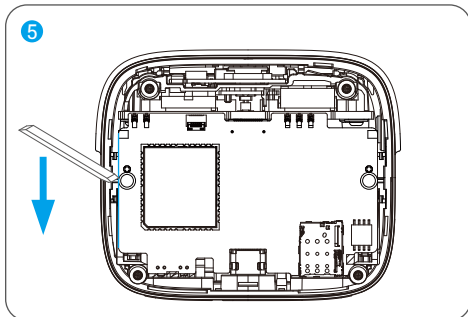
3. Press the flat-head pry tool down to lift the top cover to separate from the device body.



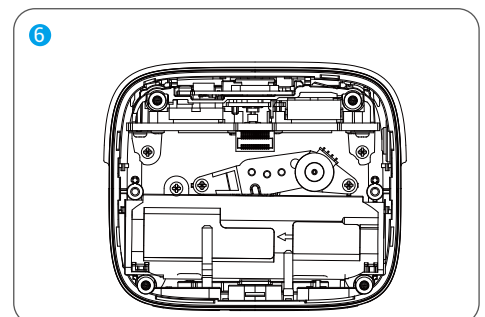
4. Use a screwdriver to remove these two screws.



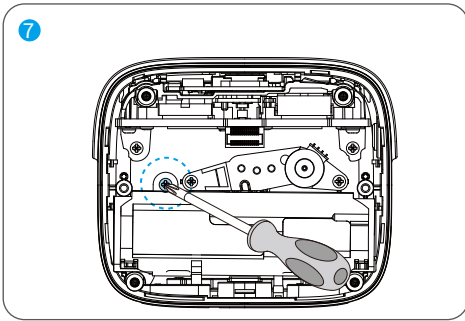
5. Insert a flat-head pry tool into the gap between the top cover of the device body.



6. Disconnect all connectors and remove the printed circuit board (PCB).



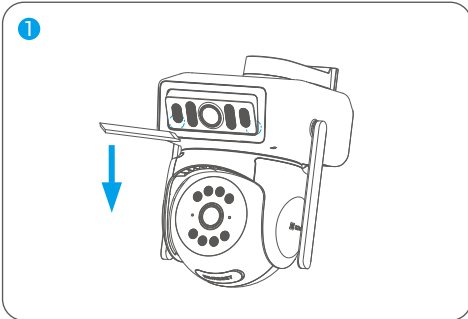
7. Remove the screw on the battery clamp and then remove the battery clamp and the battery.



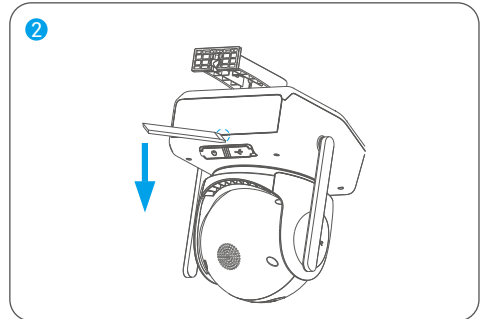
8. To install a new battery, repeat the below steps for removing the old battery in reverse order.

YB9 Battery Camera

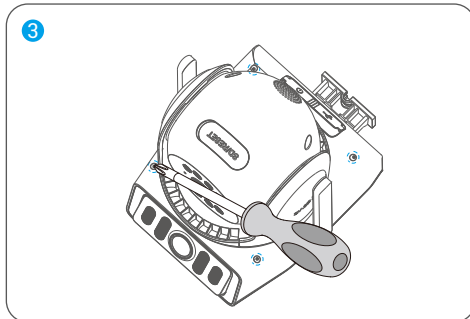
1. Insert a flat-head pry tool into the gap between the front frame and the device body, and then remove the front frame.



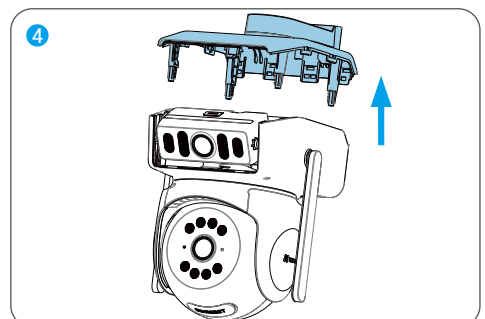
2. Insert a flat-head pry tool into the gap between the back plate and the device body, and then remove the back plate.



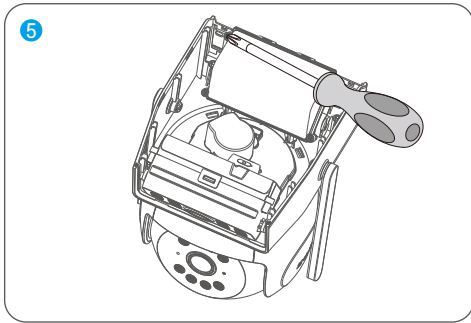
3. Use a screwdriver to remove these four screws.



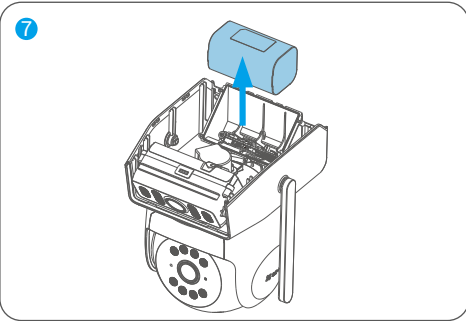
4. Insert a flat-head pry tool into the gap between the top cover and the device body, and then separate the top cover from the device body.



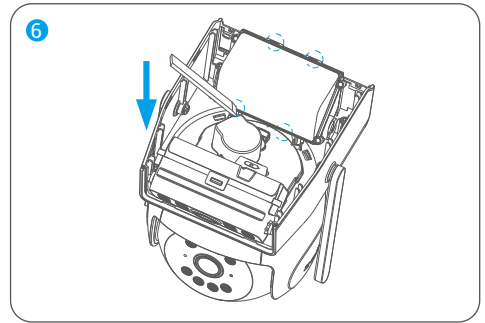
5. Use a screwdriver to remove these four screws.



7. Remove the battery upward.



6. Insert a flat-head pry tool into the four gaps as shown in the figure below.



8. To install a new battery, repeat the below steps for removing the old battery in reverse order.